

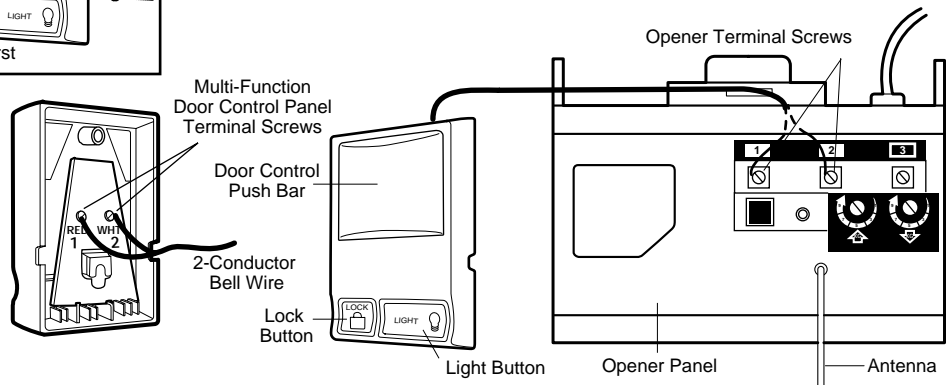
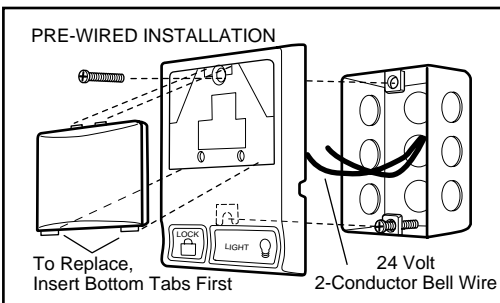
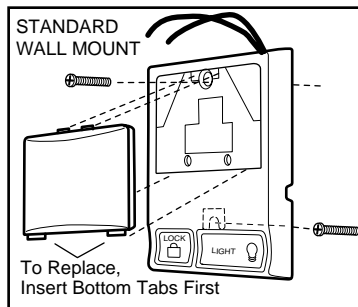
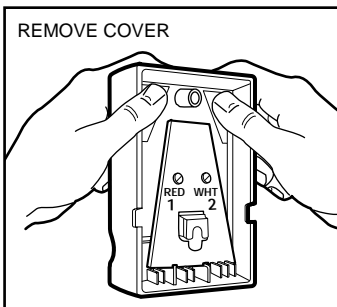
For use with garage door openers manufactured after January 1, 1995. To ensure proper functioning of your opener, remove all old or previous push buttons/wall control panels. Use only the enclosed door control for proper operation.

Locate the door control within sight of the door at a minimum height of 5 feet where small children cannot reach, and away from all moving parts of the door and door hardware.

### INSTALLATION

The multi-function door control is typically attached directly to the wall. For pre-wired installations (as in new home construction) it can be mounted to a standard single gang box. See illustrations.

- Strip 1/4" of insulation from one end of the bell wire. Connect the wire to the two screw terminals on the back of the door control as follows: white wire to 2 and white/red wire to 1. (**NOTE:** After installation, a green indicator light behind the white translucent cover will indicate proper connection. If not lit, the Lock and Light features will not function (reverse wires to correct).
- Before mounting, remove the white cover by gently pushing both thumbs against the upper corners of the cover on the back side of the door control (see illustration).
- For standard wall mount, mark the wall about 1-1/4" up the centerline from the bottom of the door control. Install a 6ABx1-1/4" self-tapping screw at this point, allowing about 1/8" to protrude from the wall. Slip the lower part of the door control over the screw head and adjust for snug fit. Drill and install the top screw with care to avoid cracking the plastic housing. *Do not overtighten.* Run the bell wire up the wall and across the ceiling to the opener. Use insulated staples to secure the wire in several places. Be careful not to pierce the wire with a staple, creating a short.
- For pre-wired installations, partially install a 6-32x1" machine screw into the bottom of the gang box, allowing about 1/8" to protrude. Slip the lower part of the door control over the screw head and adjust for snug fit. Install top screw with care to avoid cracking plastic housing. *Do not overtighten.*
- Connect the bell wire to the opener terminal screws as follows: white to 2 and white/red to 1.
- After testing, replace the cover by inserting bottom tabs and snapping into place. To remove the cover after mounting, gently pry at the top with a paper clip or small flat head screwdriver.



**DO NOT CONNECT TO LIVE ELECTRICAL WIRING. CONNECT ONLY TO 24 VOLT LOW VOLTAGE WIRES. CONNECTION TO LIVE WIRES OR HIGHER VOLTAGE MAY CAUSE SERIOUS INJURY FROM SHOCK, BURN OR ELECTROCUTION.**

**Children operating or playing with a garage door opener can injure themselves or others. The garage door could close and cause serious injury or death.**

**Install the door control (or any additional push buttons) out of the reach of children and away from all moving parts of the door and door hardware, but where the garage door is visible. Do not allow children to operate the push button(s) or the remote control transmitter(s).**

**A moving garage door could injure someone under it. Activate the opener only when the door is properly adjusted, you can see it clearly, and there are no obstructions to door travel.**

### OPERATING THE DOOR CONTROL

**The Door Control Push Button:** Press the white square to open or close the door. Press again to reverse the door during the closing cycle or to stop the door while it's opening.

**Light Feature:** Press the Light button to turn the opener light on or off. If you turn it on and then activate the opener, the light will remain on for 4-1/2 minutes. Press again to turn it off sooner. The Light button will not control the opener lights when the door is in motion.

**Lock Feature:** Designed to prevent operation of the door from portable remote controls. However, the door will open and close from the Door Control push button and from the Keylock and the Keyless Entry Accessories.

**To activate:** Press and hold the Lock button for 2 seconds. The push button indicator light will flash as long as the lock is on.

**To turn off:** Press and hold the Lock button again for 2 seconds. The indicator light will stop flashing. Normal operation will resume. The Lock feature will also turn off whenever the Smart button on the opener end panel is activated.