

Lift-Master®

SECURITY+

To comply with FCC/IC rules, adjustment or modification of receiver and/or transmitter is prohibited, except for changing the code setting and replacing the transmitter battery. THERE ARE NO OTHER USER SERVICEABLE PARTS.

Features

For use with any Security Plus™ compatible garage door opener receiver.

Personalized Code: Up to 10,000 possible combinations. Code can be easily changed if desired.

Operation: 12 Volt power supply. Opener activates when 4-digit code and Enter button is pressed.

If wrong numbers are accidentally pressed, correction can be made immediately. The Enter button will transmit only the last four digits.

The Keypad will blink for 15 seconds after the code is transmitted. During that time the Enter button can be used to stop or reverse the door travel.

A temporary entry code can be added for visitors or service persons. This temporary code can be limited to a programmable number of hours or a programmable number of entries.

Setting the Personal Entry Code

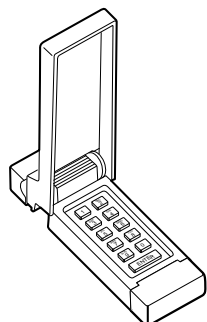
We recommend that you program your personal code now, before you install the Keyless Entry. Then you can test the reception at the mounting location before you proceed further.

1. Choose a 4-digit personal entry code using the numbers from 0 to 9 (a number can be used more than once, for example, 4,0, 4,1.)
2. Press the four buttons for the code, then press and *hold* the Enter button. The indicator light on the door opener panel will blink.
3. Press and release the "Smart" button on the door opener panel. After the opener lights blink, release the Enter button.

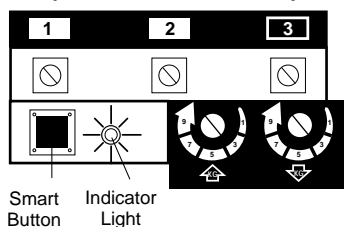
Test by pressing the the code, then press Enter. The door should begin to move.

You may also program the Keyless Entry from the door control, as follows:

1. *With the door closed*, enter the four digit code desired, then press and hold Enter.
2. Press and hold the light button on the door control.
3. Press and hold the door control push bar.
4. After the opener lights blink, release all buttons.



Garage Door Opener Receiver (With Smart Button)



Model 67LM Security Plus™

Wireless Keyless Entry

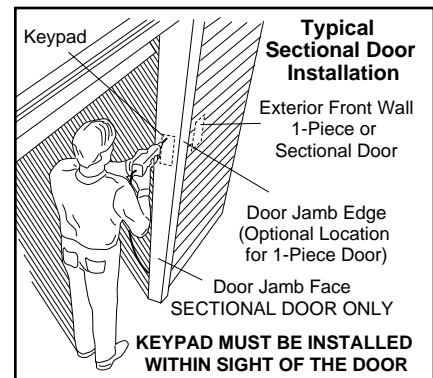


Children operating or playing with a garage door opener can injure themselves or others. The garage door could close and cause serious injury or death. Do not allow children to operate the wall push button(s) or remote control(s).

A moving garage door could injure or kill someone under it. Activate the opener only when you can see the door clearly, it is free of obstructions, and is properly adjusted.

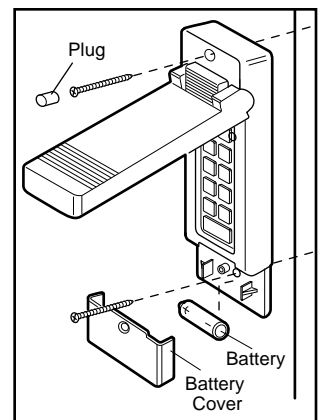
Installation

Choose a convenient location for installation. It should be at eye level, reachable by the shortest person who will use it, and within sight of the door. For a one-piece door, choose the optional location shown in the illustration to avoid injury as the door swings out.



Open the keypad cover and remove the battery compartment screw and cover. Take out the battery.

Hold keypad firmly with the cover half open so both top and bottom mounting holes are visible. Use a punch to mark each hole. Drill two 1/8" pilot holes. Fasten securely with screws provided.



Insert the plug provided into the top hole to cover the fastening screw. Reinstall the battery, matching the + and - markings on the battery compartment. Refasten the compartment cover.

Changing the Personal Entry Code

Press the four buttons for the present personal entry code, then press and hold the 0 button, then press Enter.

The opener light will blink twice. Release the buttons.

Press the new 4-digit code you have chosen, then press Enter.

The opener light will blink once when the code has been learned.

Test by pressing the new code, then press Enter. The door should move.

Side two contains instructions for setting a temporary code.

Setting a Temporary Entry Code

In addition to the personal entry code which works at all times, a 4-digit temporary entry code can be added for the convenience of visitors or service persons. This allows authorized persons a way to gain temporary access. After a programmed number of hours or number of accesses, this temporary entry code expires and will no longer open the door. The temporary code can be used to close the door even after the code is expired, until a new temporary code is programmed. To change the temporary entry code:

1. Press the four buttons for your personal entry code (not the last temporary code), then press and hold the 9 button, then press Enter.

The opener light will blink three times. Release the buttons.

2. Press the temporary 4-digit entry code you have chosen, then press Enter.

The opener light will blink four times.

3. To set the number of **hours** this temporary code will work, press the number of hours (up to 255), then press and hold the 9 button, then press Enter.

OR

3. To set the number of **times** this temporary code will work, press the number of times (up to 255), then press and hold the 0 button, then press Enter.

The opener light will blink once when the temporary code has been learned.

Test by pressing the four buttons for the temporary entry code, then press Enter. The door should move. If the temporary code was set to a certain number of openings, remember that the test has used up one opening.

Battery

The 12 volt battery should produce power for approximately one year. As long as there is adequate power, the keypad will illuminate and the opener will operate when the correct entry code is pressed. Replace the battery when the keypad does not light.